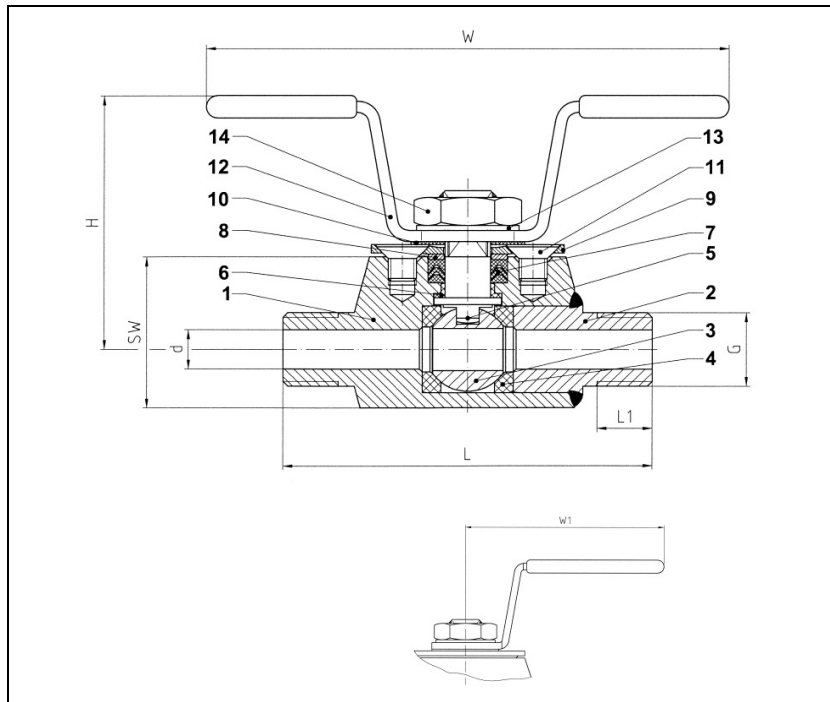


# BALL VALVES INTEC

## K120, DN8 - DN20, PN100/160



Mini plant ball valve  
with male threaded ends  
acc. to EN ISO 228-1  
face to face dimensions acc. to  
producers standard

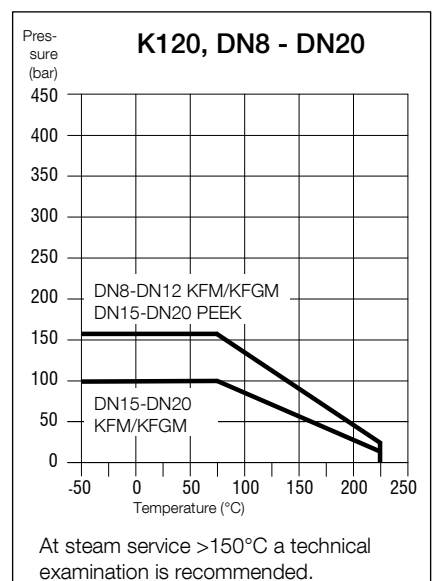
### Specification:

One-piece ball valve, male threaded ends acc. to EN ISO 228-1, blow-out-proof-stem, body material stainless steel (1.4571/1.4404), free of non ferrous metals, seat KFM/KFGM or PEEK for higher pressures and temperatures, stem packing KF chevron ring, certified acc. to GERMAN clean air act VDI 2440, with lever.

Marking: INTEC

Type: K120

No.	Part	Material code
1	body	1.4571/1.4404
2	cap	1.4571/1.4404
3	ball	1.4571/1.4404
4	seat	KFM/KFGM/PEEK-KFM
5	stem	1.4571/1.4404
6	friction washer	KFSM/PEEK
7	chevron ring	KFM
8	washer	1.4301/1.4571/1.4404
9	gland	1.4310
10	thrust washer	PEEK
11	countersunk screw	A2
12	lever	1.4301/1.4571/plasticised PVC
13	serrated lock washer	A2
14	hex. nut	A2



### Dimensions

DN mm	connect. G in inch	PN	dimensions (mm)						SW* mm
			d	L	L1	H	W	W1	
8	G 1/4	160	7.5	65	9.7	45	90		27
12	G 3/8	160	11	70	10.1	49	90		32
12	G 1/2	160	11	80	13.2	49	90		32
15	G 1/2	100	14	85	13.2	53		100	41
15	G 1/2	160	14	85	13.2	53		100	41
15	G 3/4	100	14	90	14.5	53		100	41
15	G 3/4	160	14	90	14.5	53		100	41
20	G 3/4	100	17	90	14.5	66		120	46
20	G 3/4	160	17	90	14.5	66		120	46
20	G 1	100	17	95	16.8	66		120	46
20	G 1	160	17	95	16.8	66		120	46

Gearbox with connection acc. to DIN EN ISO 5211 is possible.

\* Width across in mm

Ordering example:  
INTEC K120, DN 15, G 3/4", KFGM,  
PN100, 1.4571